

Product datasheet

Specifications



circuit breaker EasyPact EZC100H - TMD - 40 A - 1 pole 1d

EZC100H1040

Main

| | |
|--|--|
| Range of product | EasyPact |
| product or component type | Circuit breaker |
| Device short name | EasyPact EZC100H |
| Circuit breaker name | EasyPact EZC100H |
| Device application | Distribution |
| poles description | 1P |
| Protected poles description | 1t |
| Network type | DC AC |
| Network frequency | 50/60 Hz |
| [In] rated current | 40 A at 40 °C |
| [Ui] rated insulation voltage | 690 V AC 50/60 Hz conforming to IEC 60947-2 |
| [Uimp] rated impulse withstand voltage | 6 kV conforming to IEC 60947-2 |
| [Ue] rated operational voltage | 125 V DC conforming to IEC 60947-2 415 V AC 50/60 Hz conforming to IEC 60947-2 |
| Breaking capacity code | H |
| Breaking capacity | 10 kA Icu at 125 V DC 1P conforming to IEC 60947-2 25 kA Icu at 220...240 V AC 50/60 Hz conforming to IEC 60947-2 5 kA Icu at 380 V AC 50/60 Hz conforming to IEC 60947-2 5 kA Icu at 400...415 V AC 50/60 Hz conforming to IEC 60947-2 50 kA Icu at 110...130 V AC 50/60 Hz conforming to IEC 60947-2 |
| [Ics] rated service breaking capacity | 5 kA at 125 V DC conforming to IEC 60947-2 12.5 kA at 220/230/240 V AC 50/60 Hz conforming to IEC 60947-2 25 kA at 110/130 V AC 50/60 Hz conforming to IEC 60947-2 2.5 kA at 380 V AC 50/60 Hz conforming to IEC 60947-2 2.5 kA at 400/415 V AC 50/60 Hz conforming to IEC 60947-2 |
| Suitability for isolation | Yes conforming to IEC 60947-2 |
| Utilisation category | Category A |
| Trip unit name | TM-D |
| Trip unit technology | Thermal-magnetic |
| Trip unit rating | 40 A at 50 °C |
| Protection type | Short-circuit protection Overload protection |
| Pollution degree | 3 conforming to IEC 60664-1 3 conforming to IEC 947-1 |

Complementary

| | |
|-----------------------------------|---|
| Control type | Toggle |
| mounting mode | Fixed |
| mounting support | Backplate |
| Upside connection | Front |
| downside connection | Front |
| Mechanical durability | 13000 cycles |
| Electrical durability | Category A: 4000 cycles 415 V AC 50/60 Hz conforming to IEC 60947-2 |
| Connection pitch | 25 mm |
| local signalling | Positive contact indication |
| Neutral protection setting | Without protection |
| Earth-leakage protection | Without |
| Height | 130 mm |
| Width | 25 mm |
| Depth | 60 mm |

Environment

| | |
|--|---|
| Standards | JIS C8201-2-2 EN/IEC 60947-1 GB/T 14048.2 EN/IEC 60947-2 |
| IP degree of protection | IP20 conforming to IEC 60529 |
| IK degree of protection | IK07 conforming to IEC 62262 |
| Ambient air temperature for operation | -25...70 °C |
| Ambient air temperature for storage | -35...85 °C |

Packing Units

| | |
|-------------------------------------|-----------|
| Unit Type of Package 1 | PCE |
| Number of Units in Package 1 | 1 |
| Package 1 Height | 3.2 cm |
| Package 1 Width | 9.5 cm |
| Package 1 Length | 13.8 cm |
| Package 1 Weight | 338.0 g |
| Unit Type of Package 2 | S02 |
| Number of Units in Package 2 | 32 |
| Package 2 Height | 15.0 cm |
| Package 2 Width | 30.0 cm |
| Package 2 Length | 40.0 cm |
| Package 2 Weight | 11.215 kg |
| Unit Type of Package 3 | P12 |
| Number of Units in Package 3 | 1024 |
| Package 3 Height | 75 cm |
| Package 3 Width | 120 cm |

| | |
|------------------|-------|
| Package 3 Length | 80 cm |
|------------------|-------|

| | |
|------------------|--------|
| Package 3 Weight | 371 kg |
|------------------|--------|

Contractual warranty

| | |
|----------|-----------|
| Warranty | 12 months |
|----------|-----------|

Sustainability

Green Premium™ label is Schneider Electric's commitment to delivering products with best-in-class environmental performance. Green Premium promises compliance with the latest regulations, transparency on environmental impacts, as well as circular and low-CO₂ products.

Guide to assessing product sustainability is a white paper that clarifies global eco-label standards and how to interpret environmental declarations.

[Learn more about Green Premium >](#)

[Guide to assess a product's sustainability >](#)



Transparency RoHS/REACH

Well-being performance

✓ Reach Free Of Svhc

✓ Toxic Heavy Metal Free

✓ Mercury Free

✓ Rohs Exemption Information [Yes](#)

Certifications & Standards

Reach Regulation [REACH Declaration](#)

Eu Rohs Directive Compliant
[EU RoHS Declaration](#)

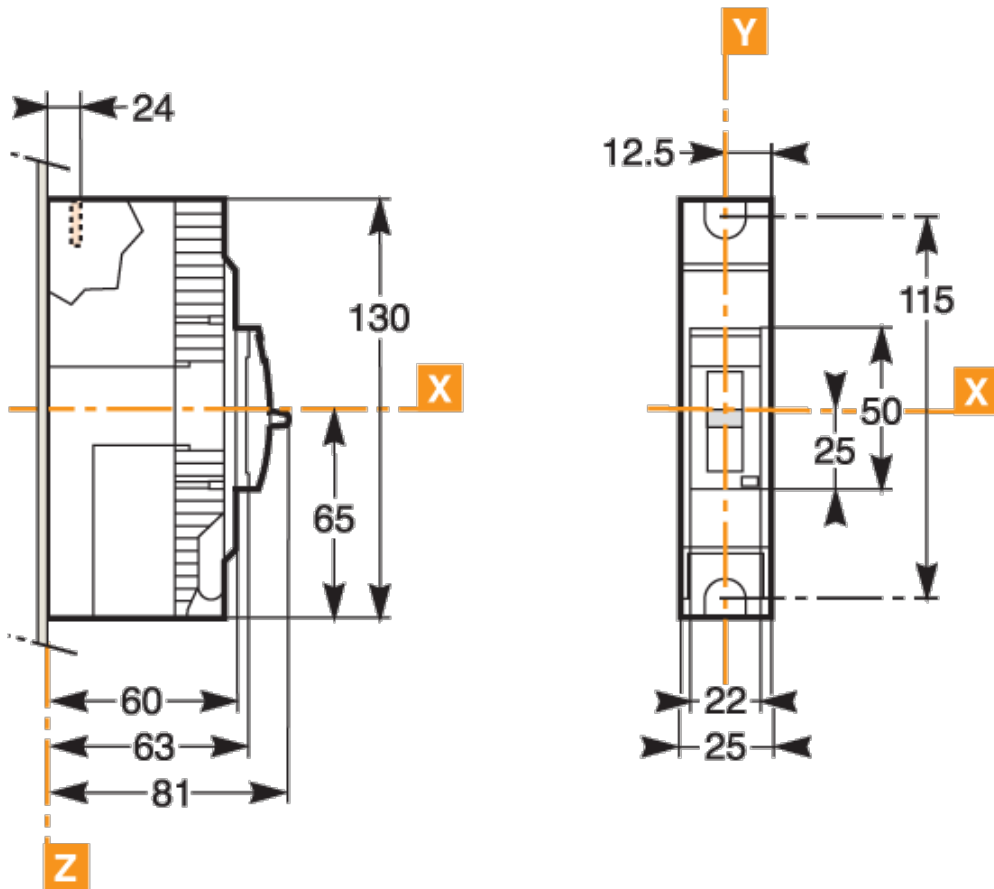
China Rohs Regulation [China RoHS declaration](#)

Environmental Disclosure [Product Environmental Profile](#)

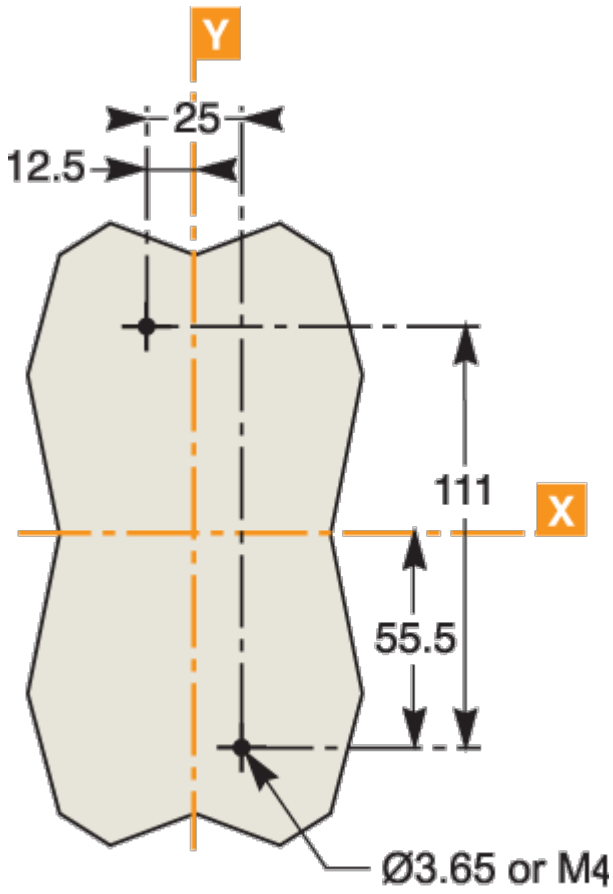
Weee The product must be disposed on European Union markets following specific waste collection and never end up in rubbish bins

Circularity Profile No need of specific recycling operations

Dimensions Drawings



Assembly



Performance Curves

